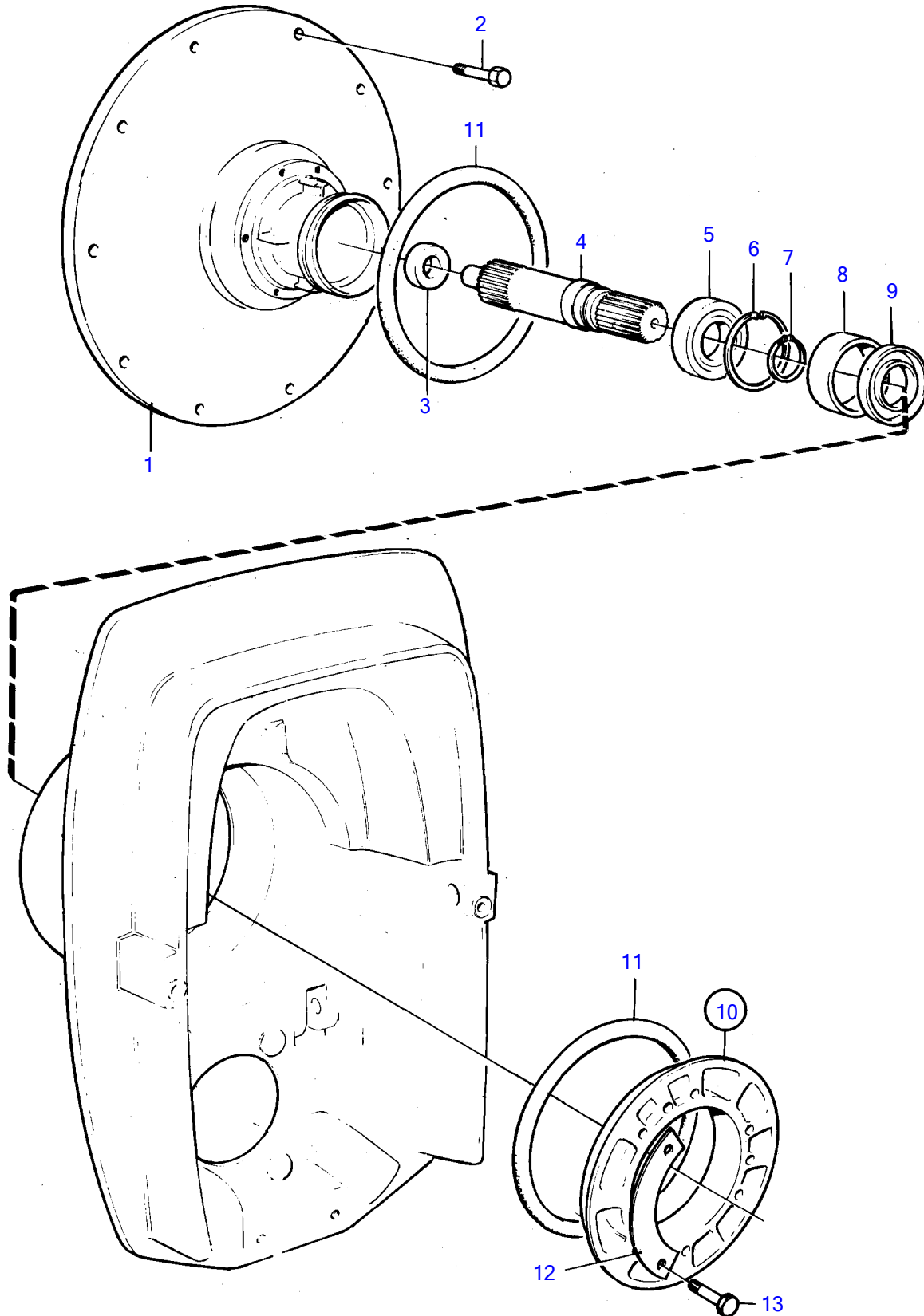


DP-D1, DPX, SP-C1



DP-D1, DPX, SP-C1

REF	PART NO.	QTY	DESCRIPTION	NOTES
1	872836	1	Flywheel housing	
2	946752	10	Flange screw	L=35mm
	946752	9	Flange screw	L=35mm, alt AD31
	965185	1	Flange screw	L=40mm, alt AD31
3	872761	1	Bushing	
4	873013	1	Primary shaft	
5	1544092	1	Ball bearing	
6	914533	1	Snap ring	
7	914462	1	Snap ring	
8	872991	1	Bushing	
9	958860	1	Sealing ring	
10	854317	1	Clamping ring kit	
11	813967	2	• Rubber ring	
12	191844	6	• Hexagon screw	
13	806624	3	• Striker plate	

7746620-44-590

11494

Upd:2012-01-30

AD41D, D41D, TAM41D, TMD41D, DP-D1, DP-E, DP-S, DPX, SP-C1, HS1A